

LOW NO_x ATMOSPHERIC

Residential Gas Water Heaters | Canada

American Standard[®]

WATER HEATERS

www.americanstandardwaterheaters.com

Features

- **VAPORSHIELD TECHNOLOGY** – Unique design that prevents flames from traveling backwards through the flame arrestor plate and outside of the water heater if flammable vapors are present, providing extra protection.
- **TRADITIONAL MECHANICAL GAS VALVE** – Simple and maintenance free operation.
- **SPARK IGNITER** – Easy push button pilot lighting in lieu of matches.
- **FACTORY INSTALLED ENERGY CUT-OFF SYSTEM** – Automatic thermostat with built-in gas pressure regulation also incorporates energy cut-off switch to prevent abnormally high water temperature for added safety.
- **TURBULENCE – INDUCING DIP TUBE** engineered to reduce sediment build-up inside the tank.
- **FULL FLOW BRASS DRAIN VALVE** allows easy and quick drainage.
- **FACTORY INSTALLED HEAT TRAPS** reduce standby heat loss caused by heat mitigation to water pipes.
- **TEMPERATURE AND PRESSURE RELIEF VALVE** factory provided & can be relocated from side to optional top of the heater.

Performance

- **UP TO 0.65 UEF**
- **UP TO 86 GALLONS (UP TO 325 LITERS) FIRST HOUR RATING (FHR)**
- **HFO FOAM INSULATED** – 2 inch-thick, environmentally-friendly insulation foam saves energy, reduces fuel cost by maximizing heat retention, and contributes to overall energy efficiency.
- **CSA DESIGN CERTIFIED** – All models design tested and certified in accordance with CSA / ANSI Z21.10.1 * CSA 4.1.
- **UL ENERGY VERIFIED** – Energy Efficiency tested in accordance with CSA P.3-15 test procedures, meets or exceeds the requirements of Natural Resources of Canada.

Quality

- **HEAVY GAUGE STEEL TANK** for extra years of trouble-free service.
- **GLASS-LINED TANK** with DuraGlas™ and fired at 1600°F for optimum protection from the effects of corrosion.
- **ALUMINUM ANODE ROD** to prolong tank life.
- **6-YEAR LIMITED WARRANTY** – 6-year limited warranty on tank and component parts.

40 & 50 Gallon Capacities
150 & 190 Liter Capacities
Tall & Low Boy Configurations
Up to 40k BTU Input
Natural Gas



SPECIFICATIONS AND APPLICATION DATA

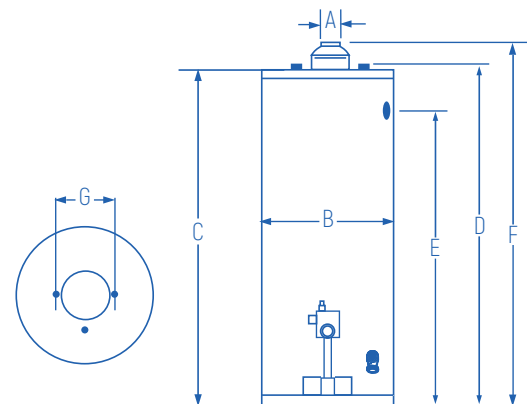
www.americanstandardwaterheaters.com

DIMENSIONS IN INCHES

MODEL NUMBER	NOMINAL CAPACITY (GAL./LITER)	DOE RATED CAPACITY (GAL./LITER)	FIRST HOUR RATING (GAL./LITER)	BTU INPUT NAT GAS	GPH/LPH RECOVERY @ 90° RISE	UNIFORM ENERGY FACTOR	VENT DIAM A	JACKET DIAM B	FLOOR TO				WATER CONNECTIONS DISTANCE G	APROX SHIP WGT (LBS/KG)
									TOP OF HEATER C	TOP OF WATER D	SIDE T&P E	TOP OF VENT F		
TALL														
GSN40T1-3-6-CN	40/150	38/144	74/280	40,000	38/144	0.61	3	18 1/2	59 1/4	60 3/4	53	62 1/2	8	156/71
GSN50T1-3-6-CN	50/190	48/182	86/325	40,000	38/144	0.65	3	20 1/2	57 3/4	59 1/4	51 1/4	61	8	185/84
LOW BOY														
GSN40L2-3-6-CN	40/150	38/144	64/242	37,000	35/132	0.60	3	22 1/2	49	50 1/2	42 1/2	52 1/2	8	172/78
GSN50L2-3-6-CN	50/190	48/182	78/295	40,000	38/144	0.65	3	24 1/2	49 3/4	51 1/4	42 3/4	53	8	223/101

Recovery capacity based on actual performance tests

STANDARD ROUND BURNER



- All models are certified at 300 PSI test pressure and 150 PSI working pressure.
- Dimensions and specifications subject to change without notice in accordance with our policy of continuous product improvement.

SAMPLE SPECIFICATION

Water heater shall be AMERICAN STANDARD WATER HEATERS model _____ having a storage capacity of _____ gallons, operate on Natural with a BTU input of _____ and a recovery rate of _____ gallons per hour at 90°F temperature rise. Water heater tank interior shall be glass lined with Dura-Glas™, furnished with anode rod and insulation shall be non-CFC foam. Water heater shall be CSA certified.

