

## POINT OF USE

Commercial Electric Water Heaters

*American Standard*<sup>®</sup>

WATER HEATERS

www.americanstandardwaterheaters.com

### Features

- **FIELD CONVERTIBLE TO MEET DIFFERENT REQUIREMENTS** – easily convertible to meet different power inputs or voltage.
- **FULLY AUTOMATIC SURFACE MOUNTED THERMOSTAT** for controlling the temperature, combined with a manual energy cut-off to prevent overheating, adjustable up to 180°F.
- **IMMERSED HEATING ELEMENT** – Screw in, INCOLOY, low wattage density to ensure more efficient operation and longer element life.
- **TOP & SIDE WATER CONNECTIONS** allows for installation flexibility.
- **FULL FLOW BRASS DRAIN VALVE** factory provided & installed, allows easy and quick drainage.
- **TEMPERATURE AND PRESSURE RELIEF VALVE** factory provided & can be relocated from side to optional top of the heater.

### Performance

- **HFO FOAM INSULATED** – 1 inch-thick, environmentally-friendly insulation foam saves energy, reduces fuel cost by maximizing heat retention, and contributes to overall energy efficiency.
- **MEETS OR EXCEEDS SAFETY AND EFFICIENCY REQUIREMENTS** – All models are UL 1453 listed and meet or exceed ASHRAE 90.1B-1992 standards.

### Quality

- **HEAVY GAUGE STEEL TANK** for extra years of trouble-free service.
- **GLASS-LINED TANK** with DuraGlas™ and fired at 1600°F for optimum protection from the effects of corrosion.
- **MAGNESIUM ANODE ROD** to prolong tank life.
- **PRESSURE TESTED AT THE FACTORY** – All tanks are hydrostatically tested and certified at 300 PSI test pressure and & 150 PSI working pressure.
- **4-YEAR LIMITED TANK WARRANTY** and 1-year limited parts warranty.

6, 10, 15, & 20 Gallon Capacities  
120, 208, 240, 277, or 480 V Single Phase  
2.0kW to 6.0kW



## SPECIFICATIONS AND APPLICATION DATA

www.americanstandardwaterheaters.com

MODEL NUMBER	NOMINAL CAPACITY (GAL)	DOE RATED CAPACITY (GAL)	STANDARD VOLTAGE (V)	STANDARD WATTAGE (W)	MAXIMUM WATTAGE (W)	DIMENSIONS IN INCHES (FLOOR TO)					JACKET DIAM (IN) D	TOP WATER CONNECTIONS DISTANCE (IN) E	HOT/COLD INLETS (IN)	APPROX SHIP WEIGHT (LBS)
						DRAIN VALVE (IN) A	COLD SIDE INLET (IN) A	SIDE T&P (IN) B	HOT SIDE OUTLET (IN) B	TOP OF HEATER (IN) C				
CE-6 CM 120V	6	6	120	2,000	2,000	2 7/8	2 7/8	10 5/8	10 5/8	15 3/4	13 5/8	8	3/4 NPT	32
CE-10 CM 120V	10	10	120	2,000	6,000	2 7/8	2 7/8	15	15	19 3/8	15 5/8	8	3/4 NPT	46
CE-15 CM 120V	15	15	120	2,000	6,000	2 7/8	2 7/8	15	15	21	18 1/2	8	3/4 NPT	55
CE-20 CM 120V	20	19	120	2,000	6,000	2 7/8	2 7/8	20 1/4	20 1/4	25 3/8	18 1/2	8	3/4 NPT	64

For alternate inputs and recovery data, please contact your local sales rep or customer service at (800) 900-9063

### SINGLE-PHASE FULL LOAD AMPERAGE DRAW

ELEMENT WATTAGE	120 V	208 V	240 V	277 V	480 V
1500	12.5	7.2	6.3	5.4	3.1
2000	16.7	9.6	8.3	7.2	4.2
2500	20.8	12.0	10.4	9.0	5.2
3000	25.0	14.4	12.5	10.8	6.3
3500	N/A	16.8	14.6	12.6	7.3
4000	N/A	19.2	16.7	14.4	8.3
4500	N/A	21.6	18.8	16.2	9.4
5000	N/A	24.0	20.8	18.1	10.4
5500	N/A	N/A	22.9	19.9	11.5
6000	N/A	28.8	25.0	21.7	12.5

### GPH RECOVERY AT VARIOUS TEMPERATURE RISES (°F)

WATTS	40°	50°	60°	70°	80°	90°	100°
3000	31	25	20	18	15	14	12
3500	36	29	24	20	18	16	14
4000	41	33	27	23	20	18	16
4500	46	37	31	26	23	20	18
5000	51	41	34	29	26	23	20
5500	56	45	38	32	28	25	23
6000	61	49	41	35	31	27	25

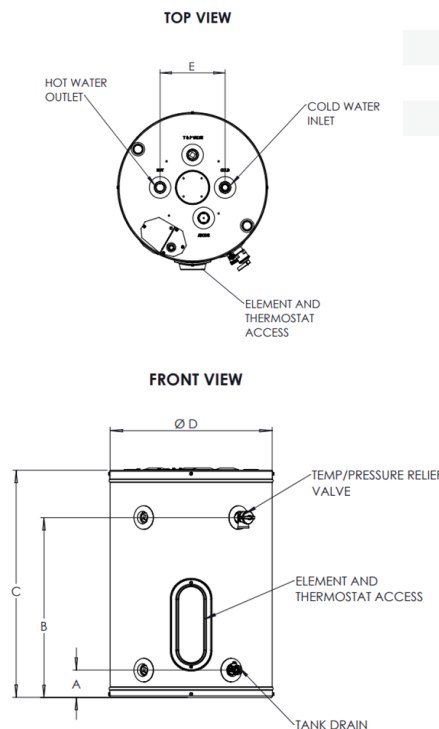
### CONVERSION KITS

PART NUMBER	DESCRIPTION
4090029	KIT POU CE 120V 1500W
4090030	KIT POU CE 208V 1500W
4090031	KIT POU CE 240V 1500W
4090032	KIT POU CE 277V 1500W
4090033	KIT POU CE 120V 2000W
4090034	KIT POU CE 208V 4500W
4090035	KIT POU CE 240V 4500W
4090036	KIT POU CE 277V 4500W
4090037	KIT POU CE 480V 4500W
4090038	KIT POU CE 208V 6000W
4090039	KIT POU CE 240V 6000W
4090040	KIT POU CE 277V 6000W
4090041	KIT POU CE 480V 6000W

Water heaters are manufactured to voltage and wattage specifications. When less than design voltage is supplied to the unit, the element will still heat, but at less than the design value.

### SAMPLE SPECIFICATION

Water heater shall be AMERICAN STANDARD WATER HEATERS model \_\_\_\_\_ having a storage capacity of \_\_\_\_\_ gallons, a rated input of \_\_\_\_\_ KW at \_\_\_\_\_ Volts, single phase 60 Cycle AC and a recovery rate of \_\_\_\_\_ gallons per hour at 90°F temperature rise. Water heater tank interior shall be glass lined with Dura-Glas™, furnished with anode rod and insulation shall be non-CFC foam. Water heater shall be tested and listed to Underwriters Laboratories standard UL 1453.



225 Dyer St., Providence, RI 02903  
Toll Free: (800) 323-9651



MKTLIT-AS-POU-C 04.09.26