

INSTALLATION AND SERVICE MANUAL COMMERCIAL STORAGE TANK 65099



TESTING & CERTIFICATIONS

- AMERICAN STANDARD commercial storage tanks are certified at 300 PSI test pressure and 150 PSI working pressure, and all tanks are 100% hydrostatically tested at the factory.

LOCATION AND INSTALLATION

- This commercial storage tank should be installed in a clean, dry location.

▲ CAUTION

THE TANK MUST BE LOCATED IN AN AREA WHERE LEAKAGE OF THE TANK OR CONNECTIONS WILL NOT RESULT IN DAMAGE TO THE AREA ADJACENT TO THE TANK OR TO LOWER FLOORS OF THE STRUCTURE. WHEN SUCH LOCATIONS CANNOT BE AVOIDED, A SUITABLE DRAIN PAN MUST BE INSTALLED UNDER THE TANK. SUCH PANS MUST BE AT LEAST 2 INCHES DEEP, HAVE A MINIMUM LENGTH AND WIDTH AT LEAST 2 INCHES GREATER THAN THE DIAMETER OF THE TANK AND SHOULD BE PIPED TO AN ADEQUATE DRAIN.

WE RESERVE THE RIGHT TO MAKE CHANGES WITHOUT PRIOR NOTICE.

▲ WARNING ▲

THIS COMMERCIAL STORAGE TANK IS FOR THE STORAGE AND USE OF POTABLE HOT WATER ONLY. DO NOT USE FOR THE STORAGE OF ANY OTHER LIQUIDS, GASES OR AIR.

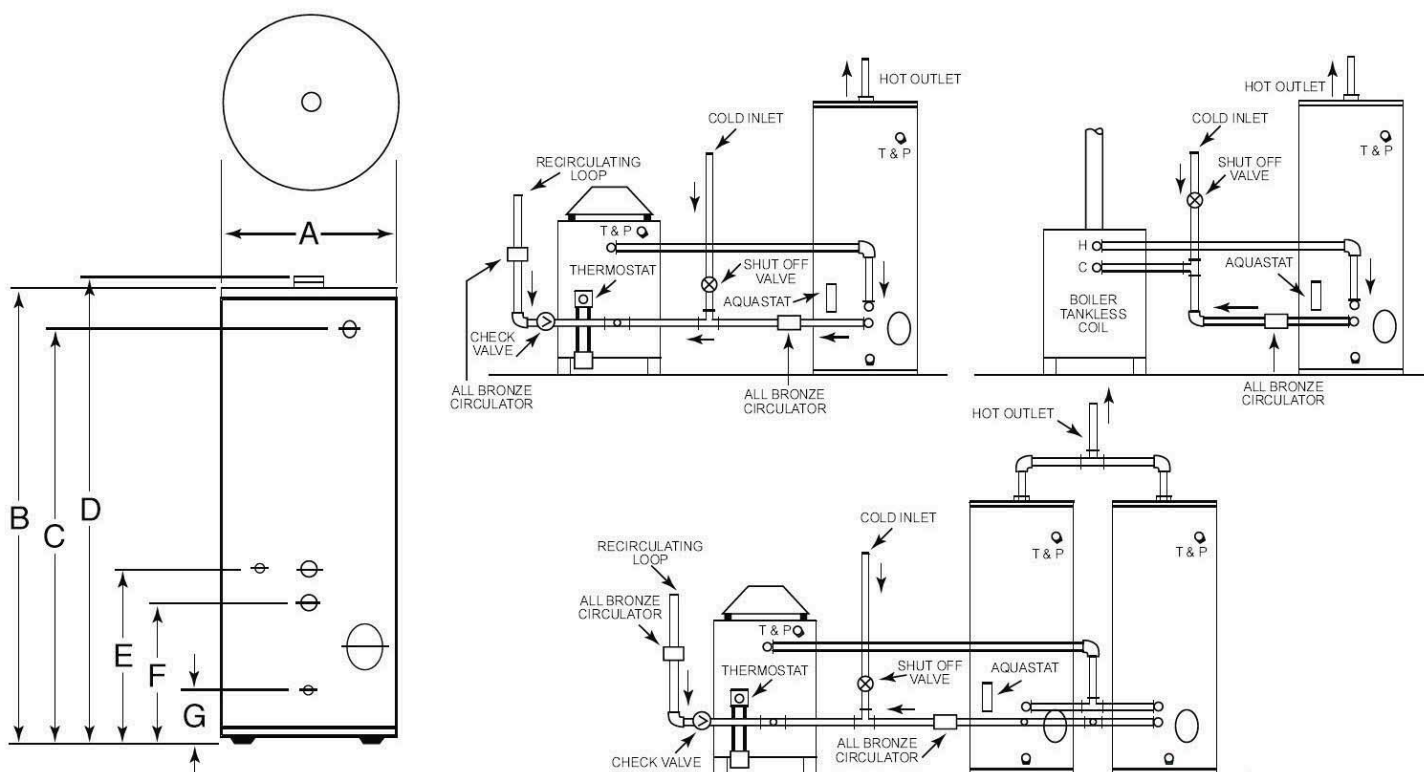
Installation and service must be performed by a qualified installer or service agency.

ALL TECHNICAL AND WARRANTY QUESTIONS SHOULD BE DIRECTED TO THE LOCAL DEALER FROM WHOM THE STORAGE TANK WAS PURCHASED. IF YOU ARE UNSUCCESSFUL PLEASE WRITE TO THE COMPANY LISTED ON THE WARRANTY OR DATA PLATE WHICH CAME WITH YOUR STORAGE TANK.

CALL THIS TOLL FREE NUMBER 1 800 900-9063 WITH ANY QUESTIONS DURING OR AFTER INSTALLATION.

COMMERCIAL STORAGE TANK

TYPICAL APPLICATIONS FOR STORAGE OF POTABLE HOT WATER



MODEL NUMBER	Rated Cap. Gal.	A Diam.	B Ht.	C T&P Ht.	D Top H.W. Conn.	E Aqua & Top Circ. Conn.	F Bot. Circ. Conn.	G Drain Ht.
ST-80-AS	80	26 1/4"	56 1/8"	48 9/16"	56 1/4"	16 1/4"	11 1/4"	6 1/2"
ST-120-AS	119	28 1/4"	67 7/8"	60"	68"	16 1/4"	11 1/4"	6 1/2"
ST-120-ASME	120	28 1/4"	67 7/8"	60"	68"	16 1/4"	11 1/4"	6 1/2"
ST-200-ASME	200	32"	78 5/8"	70 9/16"	80 1/8"	16 1/4"	11 1/4"	6 1/2"

TEMPERATURE & PRESSURE RELIEF VALVE

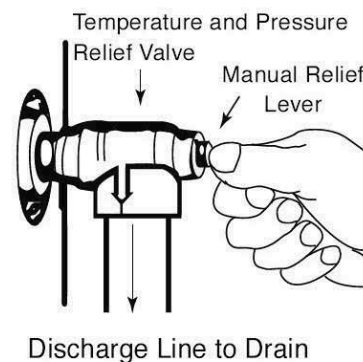
▲ WARNING ▲

FAILURE TO INSTALL A LISTED, ADEQUATELY SIZED TEMPERATURE & PRESSURE RELIEF VALVE WILL RELEASE THE MANUFACTURER FROM ANY CLAIM WHICH MIGHT RESULT FROM EXCESSIVE TEMPERATURES AND PRESSURES.

The pressure rating of the relief valve must not exceed the working pressure of the tank as marked on the rating plate. If other components in the system have a lower working pressure, the relief pressure rating should be selected accordingly. Only a new T&P relief valve should be used with this tank.

- The T&P must be connected to a proper discharge line which terminates at an adequate drain.
- Must not exceed the working pressure shown on the data plate of the storage tank.

Manually operate the T&P relief valve at least once a year to make sure it is working properly. To prevent water damage the valve must be properly connected to a discharge line which



terminates at an adequate drain. Standing clear of the outlet (discharged water may be hot), slowly lift and release the lever handle on the T&P relief valve to allow the valve to operate freely and return to its closed position. If the valve fails to completely reset and continues to release water, immediately shut off the electrical power and the cold water inlet valve and call a qualified service technician.

DRAINING TANK

▲ CAUTION

When draining the tank, make sure the hot water supply to the tank is shut off before draining water.

▲ WARNING ▲

The water drained from the tank may be hot enough to present a SCALD HAZARD and should be directed to a suitable drain to prevent injury or damage. In order to drain the tank, turn off water supply, then remove T&P valve or aquastat, or lift the handle on the relief valve to admit air to the tank. Attach one end of a garden hose to the drain valve on the tank and direct the stream of water, coming from the other end of the hose, to a drain where it will do no damage.

INSTRUCTIONS FOR CLEANING TANK

A clean-out opening is provided for periodic cleaning of the tank. Be sure that you have a new O ring on hand before proceeding. Part Number 44002.

- A. Shut off water supply to tank.
- B. Open or remove T&P valve or aquastat on top of tank.
- C. Attach hose to drain valve, and open drain valve so water can drain from tank.
- D. Remove jacket clean-out cover from jacket (4 screws).
- E. After the tank has been drained, remove the hex head bolts and the plate will come loose. If necessary, tap lightly on the outside edge.
- F. After tank has cooled, remove loose scale and lime deposits from inside tank, being careful not to break glass lining.

ANODE

In each storage tank there are two anode rods for protection of the tank. Certain water conditions will cause a reaction between this rod and the water. This is defined as smelly water and removal of the rod(s) will void any warranties stated or implied. The parts list includes a special anode that can be ordered if odor and/or discoloration occur. However, this rod is only good to a certain point, after which, we can only suggest that a water conditioning company be contacted to supply filtration equipment.

HYDROGEN GAS

▲ WARNING ▲

Hydrogen gas can be produced in a hot water system served by this tank that has not been used for a long period of time (generally two weeks or more). Hydrogen gas is extremely flammable. To reduce the risk of injury under these conditions, it is recommended that a hot water faucet be opened for several minutes before using any electrical appliance connected to the hot water system. If hydrogen is present, there will probably be an unusual sound, such as air escaping through the pipe as water begins to flow. There should be no smoking or open flame near the faucet at the time it is open.

SEASONAL OPERATION

VACATION/FREEZING TEMPERATURE

If the storage tank is to remain idle for 30 days or more, or is subject to freezing temperatures while shut off, the tank and piping should be drained, and the drain valve should be left open.

HOW TO OBTAIN SERVICE ASSISTANCE

To obtain service on your storage tank requiring adjustment, repair, or routine maintenance, it is suggested that you first contact your installer, plumbing contractor or previously agreed upon service agency. In the event that the firm has moved, or is unavailable, refer to the telephone directory commercial listings or local utility for qualified service assistance.

**WARRANTY SERVICE CALL
1 800 900-9063, extension 3.**