

Ultra Low NOx Heavy Duty Commercial Gas Water Heater

American Standard[®]
WATER HEATERS

www.americanstandardwaterheaters.com

Designed as the Universal Replacement for ALL brands of Non-Ultra Low NOx Commercial Models Ultra Low NOx Heavy Duty Commercial Product Offering – The most complete line 12 models ranging from 125,000 BTU – 512,000 BTU input.

Features

- **REDUCED INSTALLATION COSTS** - Adjusts to use existing & prior approved ventilation systems.
- **USE AMERICAN STANDARD COMMERCIAL GAS WATER HEATERS AS THE UNIVERSAL REPLACEMENT FOR ALL BRANDS** - Uses same location for water connection & gas piping as model(s) being replaced. Offers 2" front & back water connection and 1 1/2" top connection on selected models. Front & back are plugged for your convenience.
- **DURA-GLAS™ ENAMEL, HEAVY DUTY MULTI-FLUE STEEL TANK** - Fired at 1600 degree for optimal tank protection from the effects of corrosion.
- **R-8 FOAM INSULATED** - To save energy and reduce fuel costs by maximizing heat retention.
- **AUTOMATIC MOTORIZED FLUE DAMPER** - To reduce heat loss during standby periods for lowest operating costs.
- **ELECTRONIC DIRECT SPARK IGNITION SYSTEM** - Saves fuel by eliminating constant burning pilot.
- **FOUR ANODE RODS** - To ensure maximum tank life.
- **FULLY ADJUSTABLE CONTROLS** - To 180 degree temperature.
- **TURBULENCE-INDUCING COLD WATER INLET DIP TUBE ON 1 1/2" TOP WATER CONNECTIONS** - To reduce settlement of hard water sediment.
- **FACTORY INSTALLED TEMPERATURE/PRESSURE RELIEF VALVE.**
- **EASY ACCESS FULL SIZE INSPECTION PORT/HAND HOLE CLEAN OUT.**
- **ULTRA LOW NOX BURNER** - Exceeds California SCAQMD & BAAQMD Requirements.
- **FOUR YEAR LIMITED TANK WARRANTY** - On inner glass lined tank and one year limited warranty on all other components.
- **APPROVED RATINGS & CERTIFICATIONS** - ETL Listed in accordance with ANSI Z21.10.3 for up to 180 degree operation as an automatic storage and/or automatic circulation tank heater and meets ASHRAE 90.1-1999.
- **CEC & ETL LISTED TO MEET NSF/ANSI 5 STANDARDS.**



Intertek

SPECIFICATIONS AND APPLICATION DATA

www.americanstandardwaterheaters.com

Dimensions shown in inches

MODEL NUMBER	EXTERIOR DIMENSIONS			VENT	TOP PIPE SIZE	REAR & FRONT WATER CONN	WATER I.P.S. CONNECTIONS (TOP, REAR & FRONT)				GAS I.P.S. CONN.		HGT TO T & P OPENING	T & P OPENING	WIDTH WITH BLOWER		
	A	B	C				HGT TO TOP WATER	TOP WATER SPREAD	HGT TO REAR & FRONT HOT	HGT TO REAR & FRONT COLD	HGT	SIZE			K	L	M
							D	E	F	G	H				J		
ULN 80-125 AS	71 3/4	26 1/4	65	5	1 1/2	2	69	19 5/8	55 1/2	29 1/4	4	3/4	3/4	3/4	20	6 3/4	33 1/4
ULN 80-165 AS	71 3/4	26 1/4	65	6	1 1/2	2	69	19 5/8	55 1/2	29 1/4	4	3/4	3/4	3/4	20	6 3/4	33 1/4
ULN 80-180 AS	72 5/8	26 1/4	65	6	1 1/2	2	69	19 5/8	55 1/2	29 1/4	4	3/4	3/4	3/4	20	6 3/4	33 1/4
ULN 80-199 AS	68 1/8	28 1/4	60 1/2	6	1 1/2	2	63 5/8	21 1/4	52	18 3/4	4	3/4	3/4	3/4	21	6 3/4	35 1/4
ULN 100T-199 AS	78 1/8	28 1/4	70 1/2	6	1 1/2	2	73 5/8	21 1/4	62	18 3/4	4	3/4	3/4	3/4	21	6 3/4	35 1/4
ULN 100-199 AS	73 1/4	30 1/4	65 5/8	6	1 1/2	2	67 5/8	23 5/8	57 1/2	20	4	3/4	3/4	3/4	22	6 3/4	37 1/4
ULN 100-250 AS*	72 5/8	30 1/4	65 5/8	6	1 1/2	2	67 5/8	23 5/8	57 1/2	20	4	3/4	3/4	3/4	22	6 3/4	37 1/4
ULN 100-270 AS*	72 5/8	30 1/4	65 5/8	6	1 1/2	2	67 5/8	23 5/8	57 1/2	20	4	3/4	3/4	3/4	22	6 3/4	37 1/4
ULN 100-300 AS*	72 5/8	30 1/4	65 5/8	7	1 1/2	2	67 5/8	23 5/8	57 1/2	20	4	3/4	3/4	3/4	22	6 3/4	37 1/4
ULN 80-365 AS*	74 1/4	30 1/4	66 1/4	8	N/A	2	N/A	N/A	57	19 1/4	4 1/2	3/4	3/4	3/4	22	6 3/4	37 1/4
ULN 80-399 AS*	74 1/4	30 1/4	66 1/4	8	N/A	2	N/A	N/A	57	19 1/4	4 1/2	3/4	1	1	22	6 3/4	37 1/4
ULN 80-512 AS*	76 1/4	30 1/4	68 1/4	10	N/A	2	N/A	N/A	59	21 1/4	6 1/2	1	1	1	23 1/2	8	38 1/4

Maximum Hot Water Deliverability at Various Time Periods

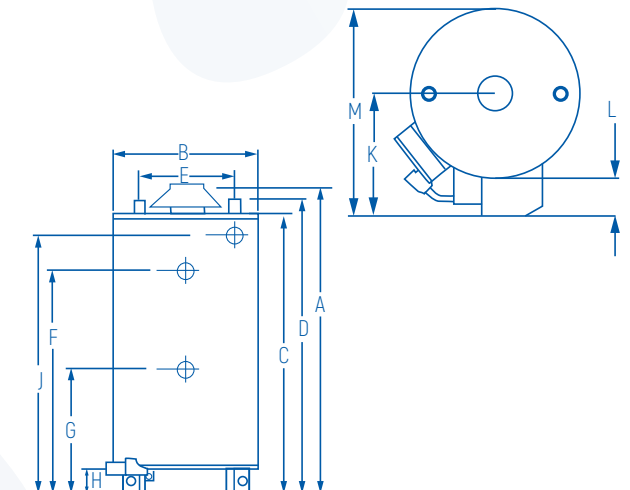
MODEL NUMBER	STORAGE CAPACITY U.S. GALLONS	ONE HOUR RECOVERY 100° RISE	1ST HOUR	2 HOURS	3 HOURS	GPM REC. 100° RISE
ULN 80-125 AS	80	121.0	177	298	419	2
ULN 80-165 AS	80	155.0	216	376	536	2.7
ULN 80-180 AS	80	174.5	231	406	581	2.9
ULN 80-199 AS	80	200.8	257	458	659	3.3
ULN 100T-199 AS	100	196.0	266	462	658	3.3
ULN 100-199 AS	100	197.1	266	462	658	3.3
ULN 100-250 AS*	100	246.5	316	562	808	4.1
ULN 100-270 AS*	100	264.0	334	598	862	4.4
ULN 100-300 AS*	100	301.6	371	672	973	5.0
ULN 80-365 AS*	80	355.5	412	768	1124	5.9
ULN 80-399 AS*	80	390.7	447	838	1229	6.5
ULN 80-512 AS*	80	474.8	531	1006	1481	7.9

Specifications

MODEL NUMBER	TANK GALLONS CAPACITY	BTU INPUT NAT GAS	REC GPH 100° RISE	THERMAL EFF%
ULN 80-125 AS	80	125,000	121.0	80.63
ULN 80-165 AS	80	165,000	155.0	80.13
ULN 80-180 AS	80	180,000	174.5	80.26
ULN 80-199 AS	80	199,000	200.8	80.74
ULN 100T-199 AS	100	199,000	196.0	81.30
ULN 100-199 AS	100	199,000	197.1	81.24
ULN 100-250 AS*	100	250,000	246.5	81.06
ULN 100-270 AS*	100	270,000	264.0	81.31
ULN 100-300 AS*	100	300,000	301.6	81.37
ULN 80-365 AS*	80	365,000	355.5	81.09
ULN 80-399 AS*	80	399,000	390.7	80.52
ULN 80-512 AS*	80	480,000	474.8	81.89

Recovery in Gallons per hour at various temperature rises

MODEL NUMBER	BTU INPUT	TEMPERATURE RISE											
		40°	50°	60°	70°	80°	90°	100°	110°	120°	130°	140°	
ULN 80-125 AS	125,000	299.0	239.2	199.3	170.9	149.5	132.9	121.0	108.7	99.6	92.0	85.4	
ULN 80-165 AS	165,000	395.2	316.2	263.5	225.8	197.6	175.6	155.0	143.7	131.7	121.6	112.9	
ULN 80-180 AS	180,000	430.1	344.1	286.7	245.8	215.0	191.1	174.5	156.4	143.3	132.3	122.9	
ULN 80-199 AS	199,000	494.5	395.6	329.7	282.6	247.2	219.8	200.8	179.8	164.8	152.1	141.3	
ULN 100T-199 AS	199,000	482.6	386.1	321.7	275.8	241.3	214.5	196.0	175.5	160.8	148.5	137.9	
ULN 100-199 AS	199,000	485.6	388.5	323.7	277.5	242.8	215.8	197.1	176.6	161.8	149.4	138.7	
ULN 100-250 AS*	250,000	607.1	485.7	404.7	346.9	303.5	269.8	246.5	220.7	202.3	186.8	173.4	
ULN 100-270 AS*	270,000	650.0	520.2	433.3	371.4	325.0	288.9	264.0	236.3	216.6	200.0	185.7	
ULN 100-300 AS*	300,000	742.9	594.3	495.2	424.5	371.4	330.1	301.6	270.1	247.6	228.5	212.2	
ULN 80-365 AS*	365,000	875.5	700.4	583.6	500.3	437.8	389.1	355.5	318.3	291.8	269.3	250.1	
ULN 80-399 AS*	399,000	963.0	770.4	642.0	550.3	481.5	428.0	390.7	350.1	321.0	296.3	275.1	
ULN 80-512 AS*	480,000	1159	926.8	772.3	662.0	579.2	514.9	474.8	421.2	386.1	356.4	331.0	



*Also available in ASME

561 New York Drive, Pomona, California 91768
Toll Free: (800) 900-9063 - Fax: (909)392-7302